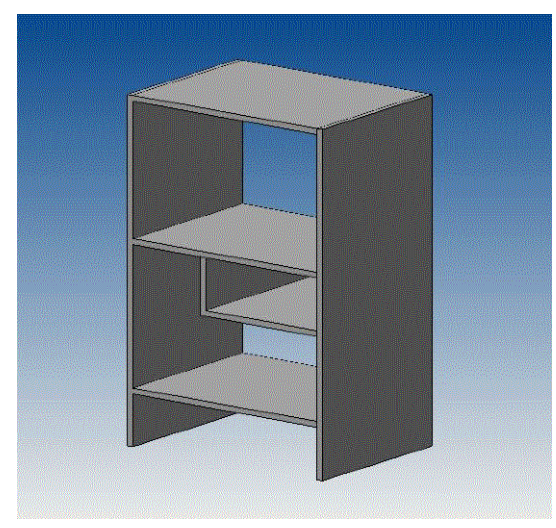
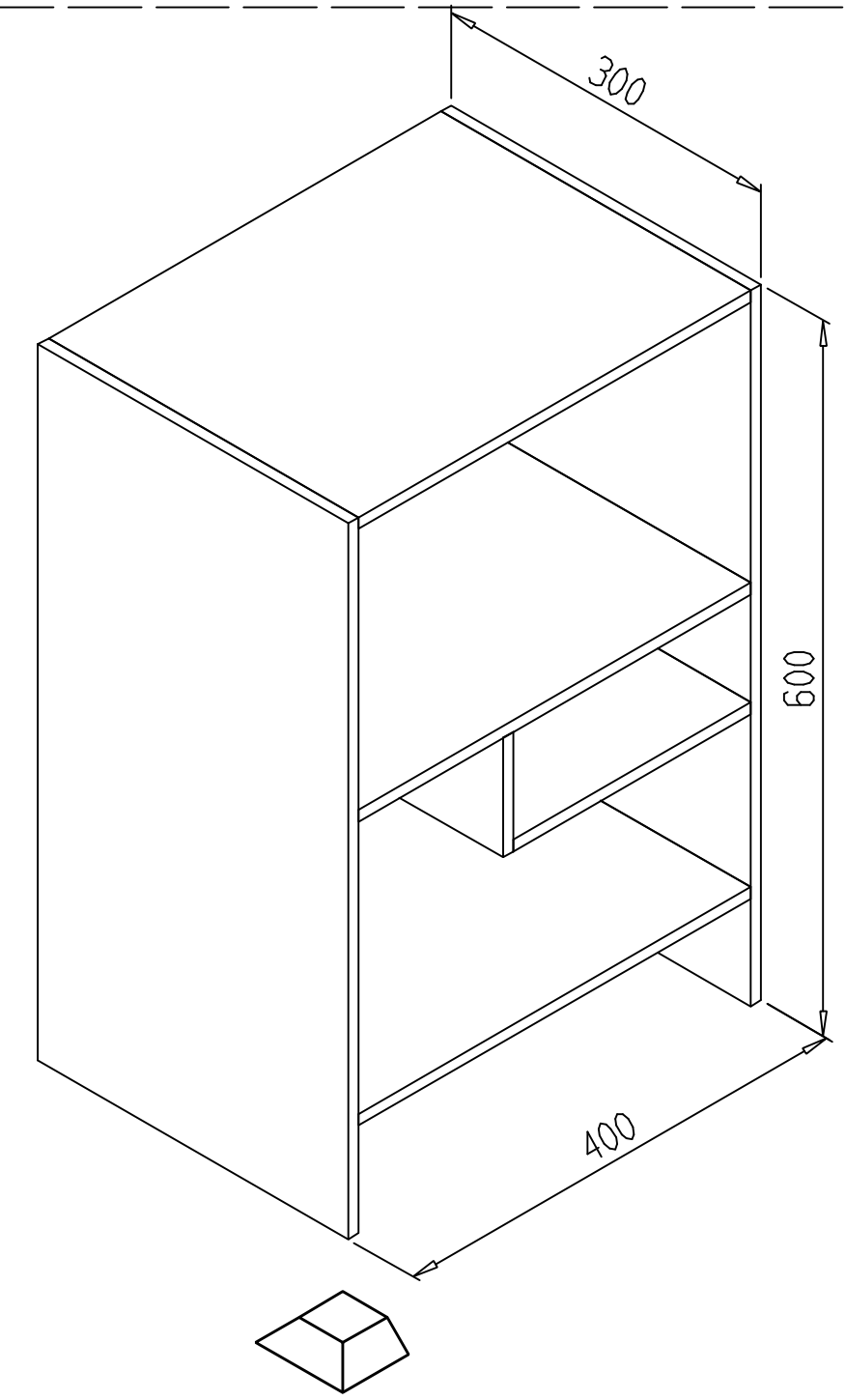
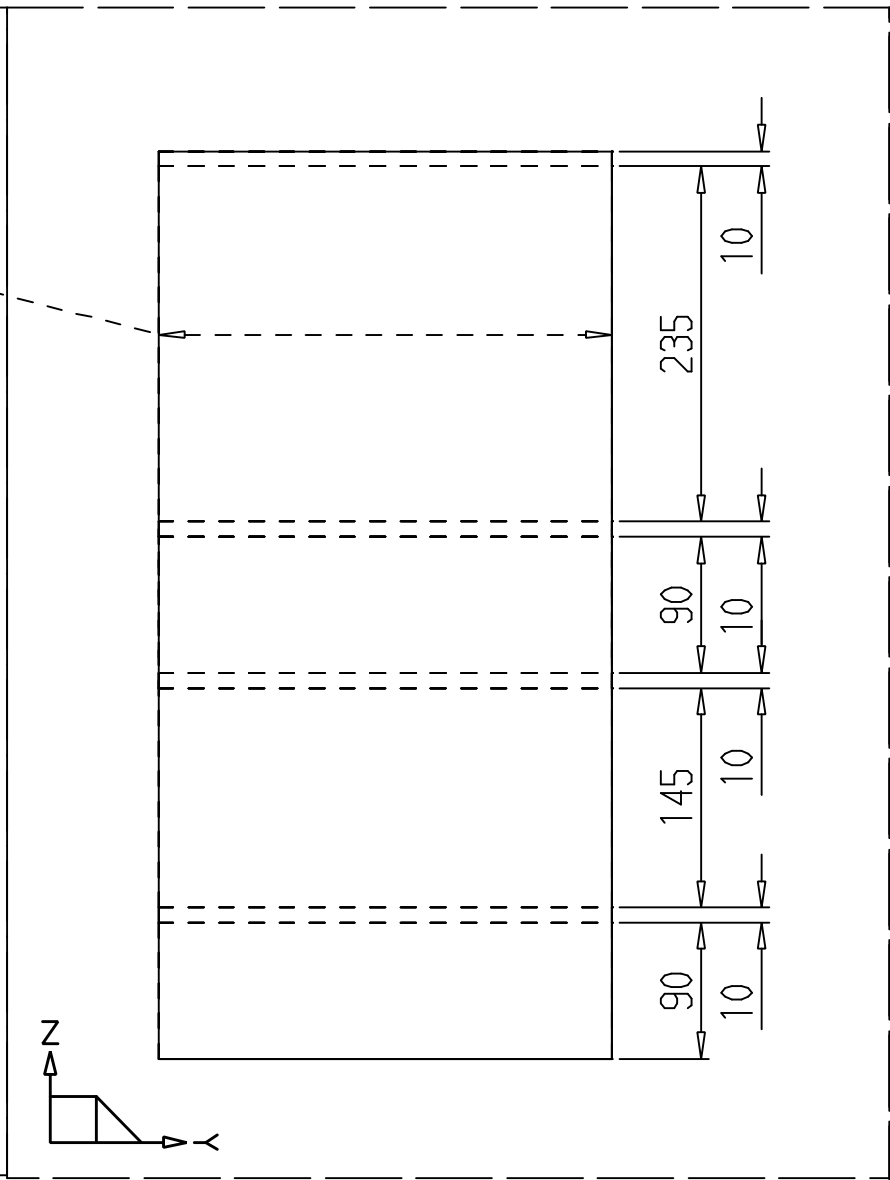
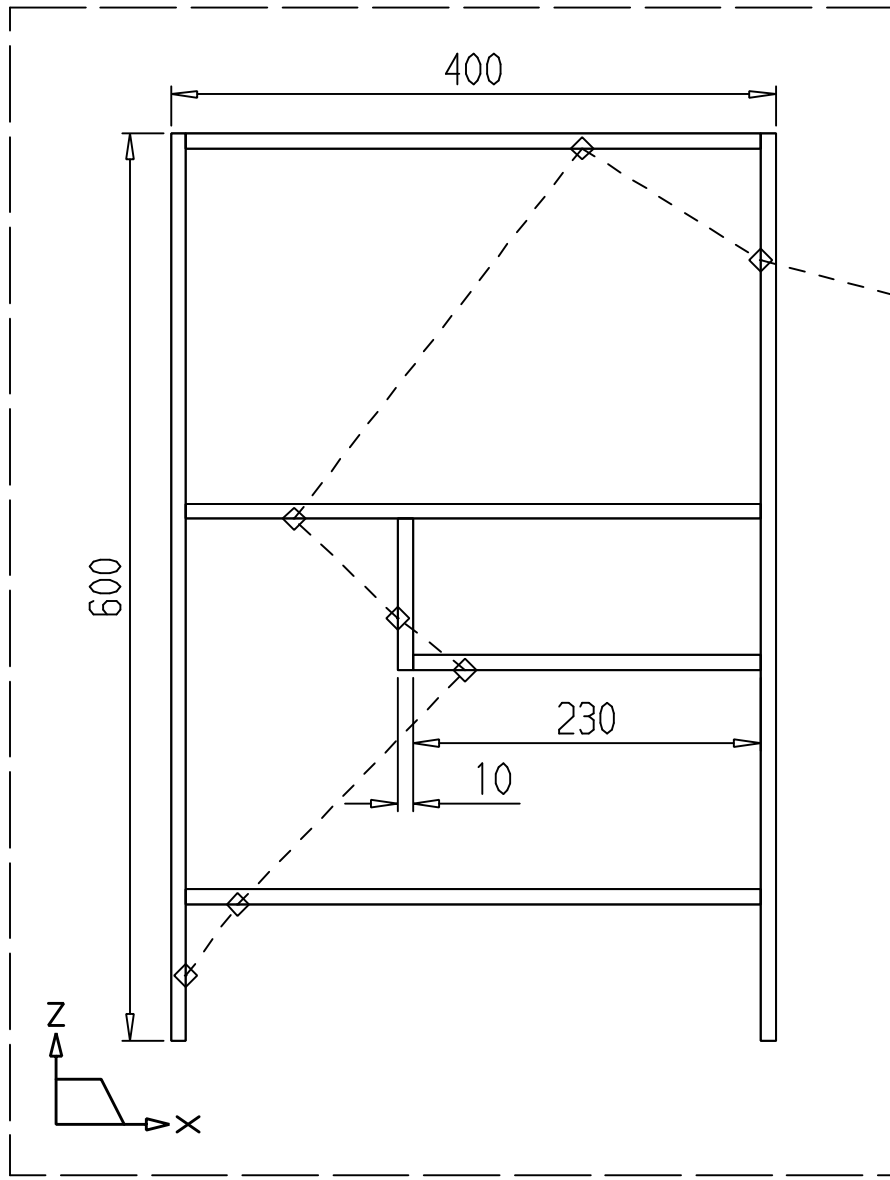


DWG NO	SH	REV	
REVISIONS			
REV	DESCRIPTION	DATE	APPROVED



<h1>MEDUSA<sup>4</sup></h1>		ADDRESS	
		TITLE	
DRAWN BY Name		PROJECT Project	DWG <b>DrNo</b>
CHECKED BY Name		SCALE <b>1:</b>	TYPE M
DATE		SHEET <b>1 OF</b>	ISSUE <b>1</b>